



K&K Systems, inc.
Traffic Safety Products Manufacturer



HIGH FLUX LED DC LAMPS

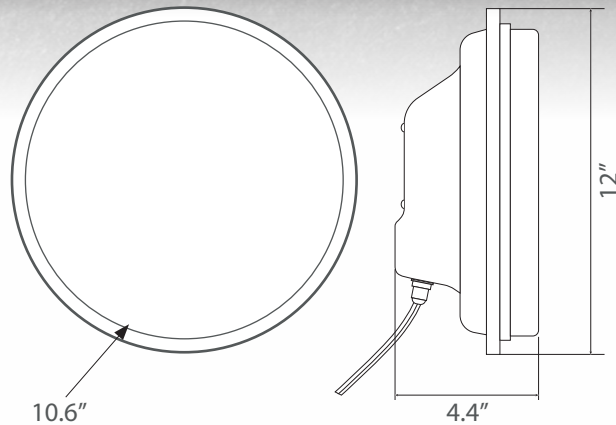
Technical Data

FEATURES

- ▶ 12" Beacon
- ▶ Compliance with applicable latest IE and MUTCD specifications
- ▶ Retrofit design & UV stabilized lens
- ▶ MIL-STD-883 mechanical vibration
- ▶ MIL-STD-810F moisture resistant
- ▶ Compliant to FCC Title 47
- ▶ Fully compatible with NEMA controllers/conflicts monitors
- ▶ Uniform incandescent appearance with Hi-Flux Technology



Model Number	Size (mm)	Color (nm)	Voltage Range	Power (w) Typical	Operation Temp.	Power Factor	T.H.D.	ITE Specs
DC1212-RR5-HFT	300	Red (626)	80v-135v	5	-40°F- +165°F	> 0.9	< 20%	Yes
DC1212-RR8-HFT	300	Red (626)	80v-135v	9.5	-40°F- +165°F	> 0.9	< 20%	Yes
DC1212-YY5-HFT	300	Yellow (592)	80v-135v	5	-40°F- +165°F	> 0.9	< 20%	Yes
DC1212-YY8-HFT	300	Yellow (592)	80v-135v	8	-40°F- +165°F	> 0.9	< 20%	Yes



K&K Systems, inc.
Traffic Safety Products Manufacturer

888.414.3003 toll-free • 662.566.2025 phone • 662.566.7123 fax
www.k-systems.com • sales@k-systems.com

