



**K&K Systems, inc.**  
Traffic Safety Products Manufacturer

# VEHICLE MOUNT ARROW BOARD

**MODEL # AV153672**

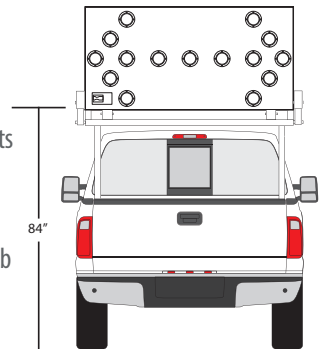
This 36" x 72" Arrow Board is sized to fit pickups as well as flatbed trucks. The optional Low Profile Mount has an auto raise/lower function using a 12V linear actuator with built-in limit switches and 6" stroke.

All K&K Arrow Boards have a built-in controller on the panel face. Optional wireless and wired remotes are available. To be truly wireless and eliminate the need for any wires that connect the arrow board to the vehicle, though, K&K's innovative team of designers developed the **TruWireless** that achieves that goal. TruWireless does away with all wiring. Request the TruWireless Remote option on your next order.



## FEATURES

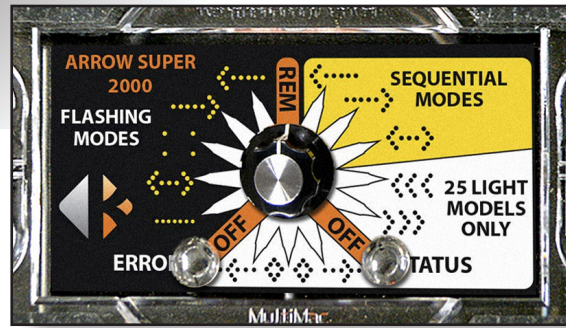
- ▶ **TruWireless** Operation Option Available
- ▶ Arrow Board Meets MUTCD standards
- ▶ Photocell for Auto Dimming
- ▶ Super Bright LED Technology
- ▶ Easy to Operate & Maintain Arrow Board
- ▶ Durable Powder Coat Finish
- ▶ 360° LED Visors
- ▶ 8 Function Control Arrow Board
- ▶ 30-40 Flash Rate
- ▶ Mounting Options
- ▶ Durable Finish Resists the Elements
- ▶ Lightweight Construction
- ▶ Meets the 7 ft. min. mounting height with optional over-the-cab mounting hardware





# MODEL # AV153672

## VEHICLE MOUNT ARROW BOARD SERIES



### CONTROLLER

#### Battery Status Indicator

**Light:** Indicates if solar is charging and its progress. Multi-color LED indicates the battery condition (low, fair, or good).

**Error LED:** Indicates low voltage disconnect or over voltage condition

**Mode Selector:** Capable of 8 modes in 15 lamp configuration

### OPTIONAL REMOTES AVAILABLE

The K&K Vehicle Mounted Arrow Board has a standard built-in controller on the panel face. Optional wireless or wired remotes are available for easy operation and mode selection.



#### TruWireless Remote Option

eliminates all wiring to the vehicle.

### SIGN DISPLAY

**Construction:** Height: 36"

**Length:** 72"

**Width:** 3 3/8"

**Material:**

- 1/8" Aluminum frame 36"x72" w/ (2) 35/8" cross members
- .063 Aluminum composite front panel 36"x72"
- .063 Aluminum composite back panel 36"x72"

**Salt Spray Fog:** 1,000 hours

**UV Resistance:** 500 hours

**LED bulbs:** (15) yellow/amber Par 46 LED's with 360° high impact visor.

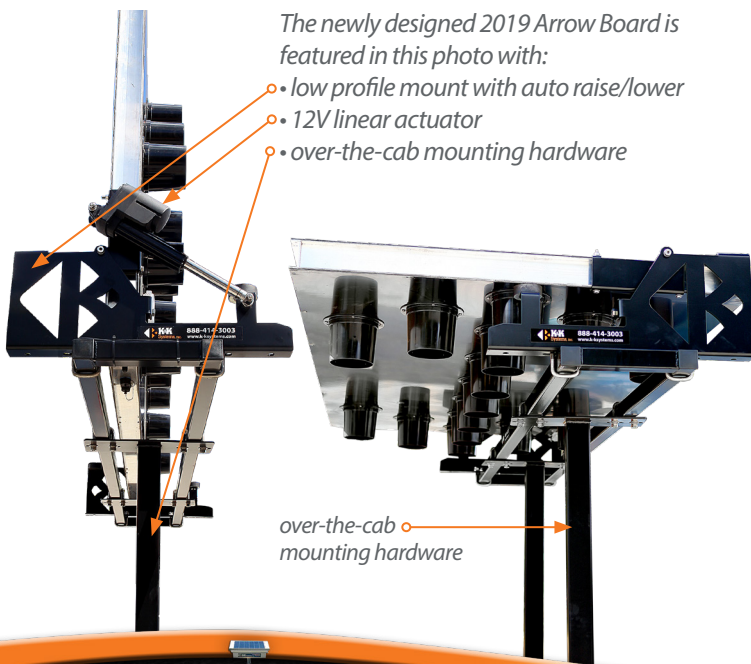
Push on type connectors to prevent separation due to vibration during travel and operation.

### OPTIONS

- ▶ Three small amber indicator lights added to the back of display
- ▶ Hitch mount
- ▶ Low profile mount with 12V linear actuator
- ▶ Over cab mount. Also requires (low profile mount)
- ▶ Tailgate mount
- ▶ Upgrade to 25', 40', or 60' power cable
- ▶ Two-tube frame for rail mount
- ▶ Upgrade to TruWireless - complete wireless operation

The newly designed 2019 Arrow Board is featured in this photo with:

- low profile mount with auto raise/lower
- 12V linear actuator
- over-the-cab mounting hardware



over-the-cab mounting hardware



888.414.3003 toll-free • 662.566.2025 phone • 662.566.7123 fax  
www.k-systems.com • sales@k-systems.com

